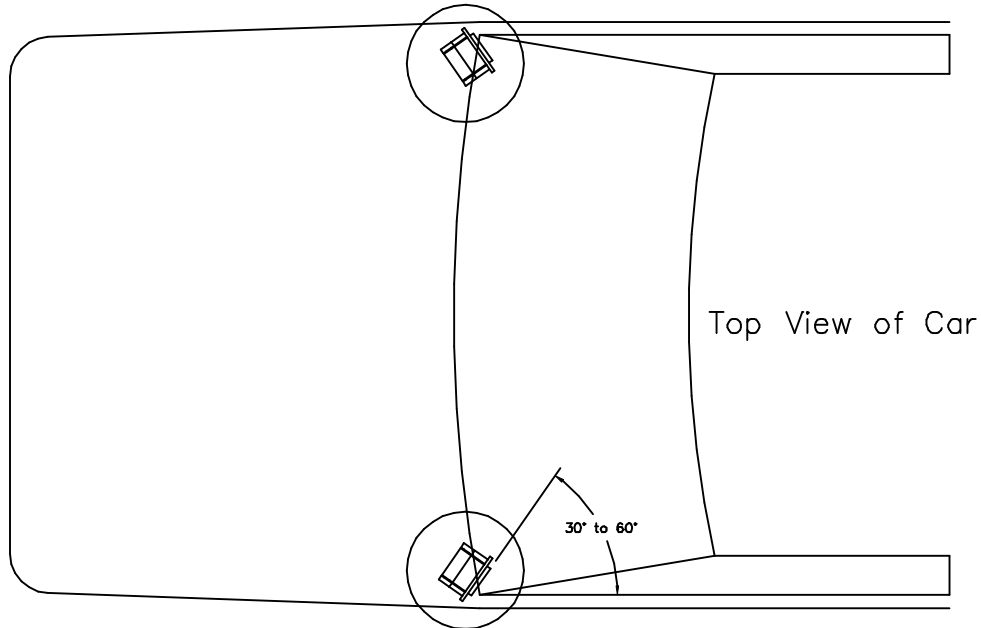


Door Hinge Installation Recommendations

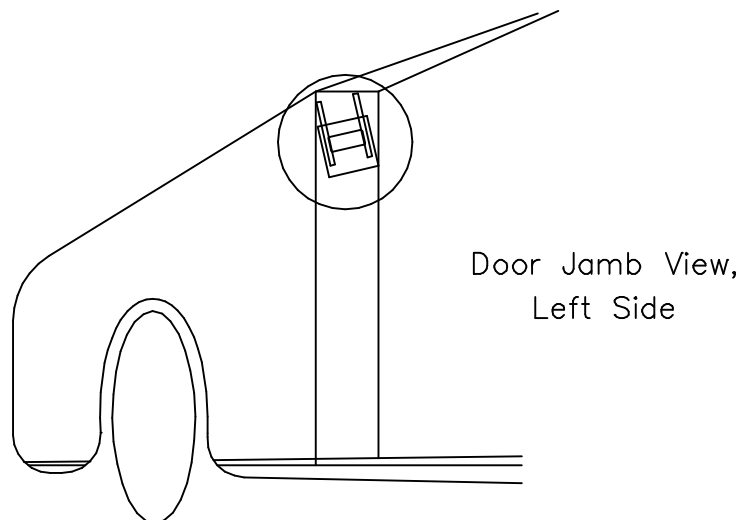
Style 2 hinges shown as an example only, this sheet also applies to Style 1A and 1B

WARNING:

Protective gear such as gloves, safety goggles and other appropriate safety gear should be used whenever working on a car. FOR THEIR OWN SAFETY, those working on a car should be fully educated in safe handling procedures of tools, equipment and car parts.



Mount the hinge so that the edge toward the outside of the car is 30 to 60 degrees forward from the inside edge. The top face of the hinge should be about flush with the upper back edge of the fender.



Mount the hinge so that the top edge is rotated as much as possible toward the outside of the car and the bottom end of the hinge is rotated as much as possible toward the interior.

Street Dreams
4833 Cherry Valley RD
Middleville MI 49333

1 (269) 795 3100
strdream@iserv.net
<http://www.iserv.net/~strdream>